

# Rox siphon type SN

Technical Information

05-2018



image: siphon type SN, brand ROX

## Characteristics of functions and fields of application

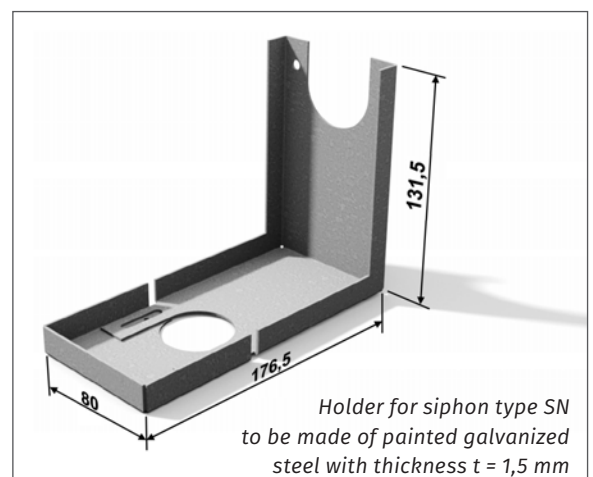
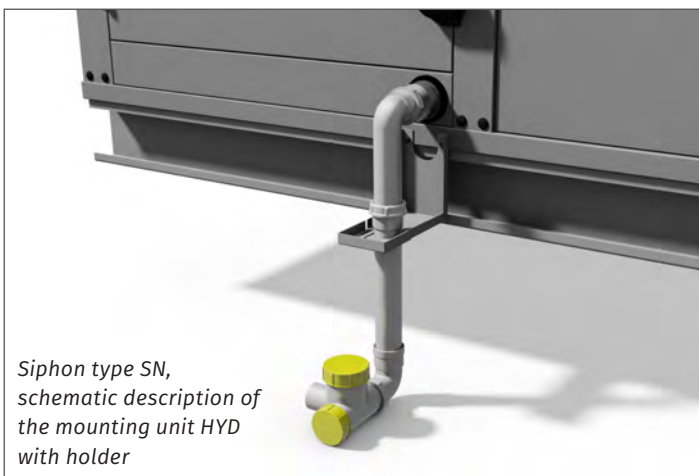
ROX-Siphon Type SN is a self-filling siphon for drainage of ROX-Central Units group HYD in the range of coolers, steam humidifiers and other wet areas with underpressure in comparison to the surrounding. An inserted floating ball avoids the adsorption of air during dry operation so that the first produced condensate can fill the siphon. Furthermore the ball acts as a nonreturn valve during pressure surges in the system and prevents emptying. Thus the ROX-Siphon ensures a disturbance-free discharge of water during all operating conditions. In order to obtain a low height of installation the pipe of the connecting bend can be adapted to the existing underpressure.

## Description

ROX-Siphon, self-filling, with integrated floating ball as nonreturn valve, screw cap for revision- and cleaning purposes, variable arrangement of discharge with threaded pipe connections on two sides and adjustable height of installation. Suitable a maximum underpressure of  $P = 3000 \text{ Pa}$ .

- Execution in PP (polypropylene)
- Max. height: 420 mm
- Connection of inlet by squeezing screw or rubber sleeve for unit discharges  $\frac{3}{4}$ ", 1", 1  $\frac{1}{4}$ " or 1  $\frac{1}{2}$ "
- Diameter of discharge  $d = 40 \text{ mm}$
- Manufactured by ROX, type SN

## Mounting example siphon SN with holder



# Rox siphon type SN

## Mounting instructions

### Siphon Installation

One siphon must be provided for each unit discharge. The installation can be seen in picture 2. The lengths of the bend (5) and the pipe (6) must be adapted to the existing underpressure. For unit discharges from 3/4" to 1 1/2" connecting pieces and rubber sleeves are included in the supply, parts (1) to (5).

The siphon should not be connected directly to a sewer pipe, but have a free run out. For longer pipes from siphon to outlet provide for sufficient aeration and ventilation, diameter and slope in accordance with the regulations of sanitary techniques.

Equipment Siphon SN	
1. Rubber Sleeve 40/40 and 40/30	7. Bend $\phi 40$
2. Connection piece 40/40	8. Sealing 1 1/2"
3. Box nut 1 1/2"	9. Non-return valve
4. Sealing $\phi 40$	10. Tee with discharge
5. Bend $\phi 40, 90^\circ$	11. Screwed cap 2"
6. Pipe $\phi 40, l = 200 \text{ mm}$	12. Locking cap for fill hole

Image 1: Equipment siphon type SN

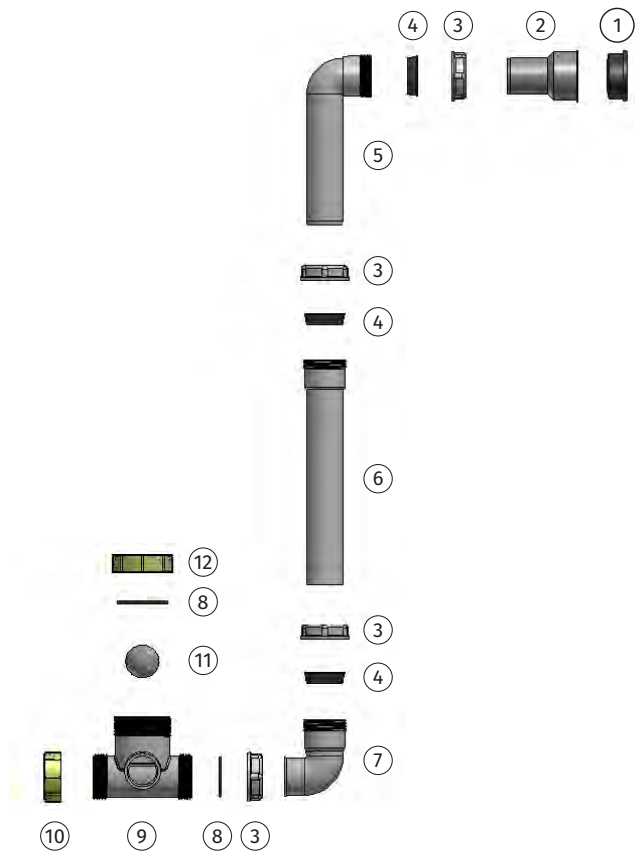


Image 2: exploded view siphon type SN

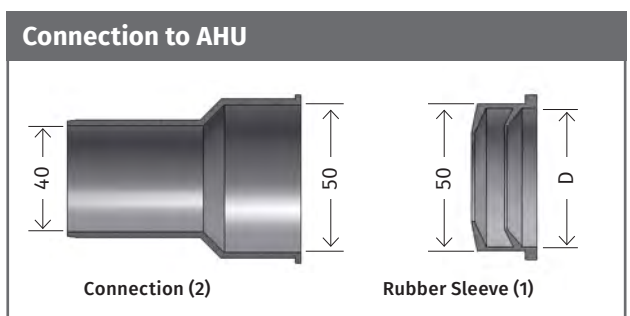
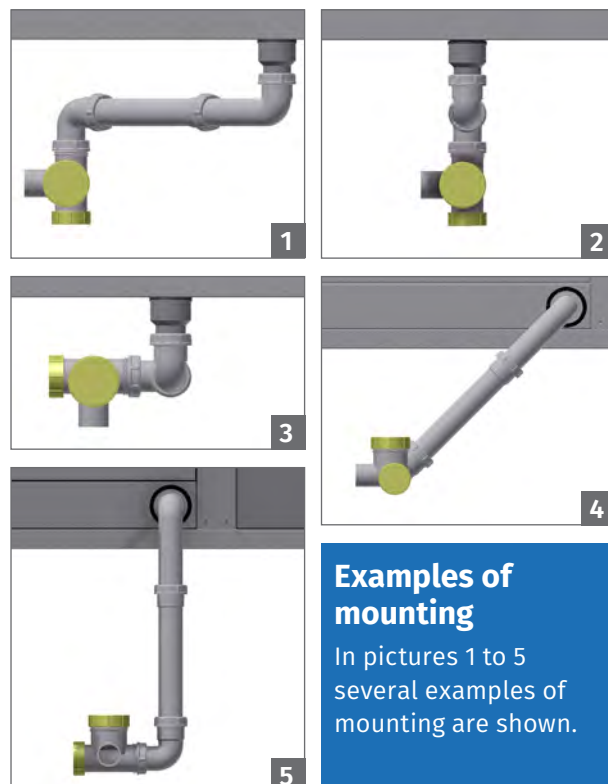


Image 3: Connections to AHU

Usage of connections		
Drain	Diameter (mm)	Rubber Sleeve
3/4"	28 – 34	1b
1"	28 – 34	1b
1 1/4"	38 – 44	1a
1 1/2"	without connection piece, should be sealed with permanent elastic material	

Table 1: Connection siphon type DS



**Examples of mounting**  
In pictures 1 to 5 several examples of mounting are shown.

## Height of base frame

The minimum height of the fundamnet respectively the base frame R [mm] must be adjusted to the construction of the unit in the range of the condensate inlet, the excess pressure P [Pa] and the height of pressure resulting here of H = [mm]. The distance between the middle of the inlet of the siphons and the floor must be at least  $x = H + 85$  [mm].

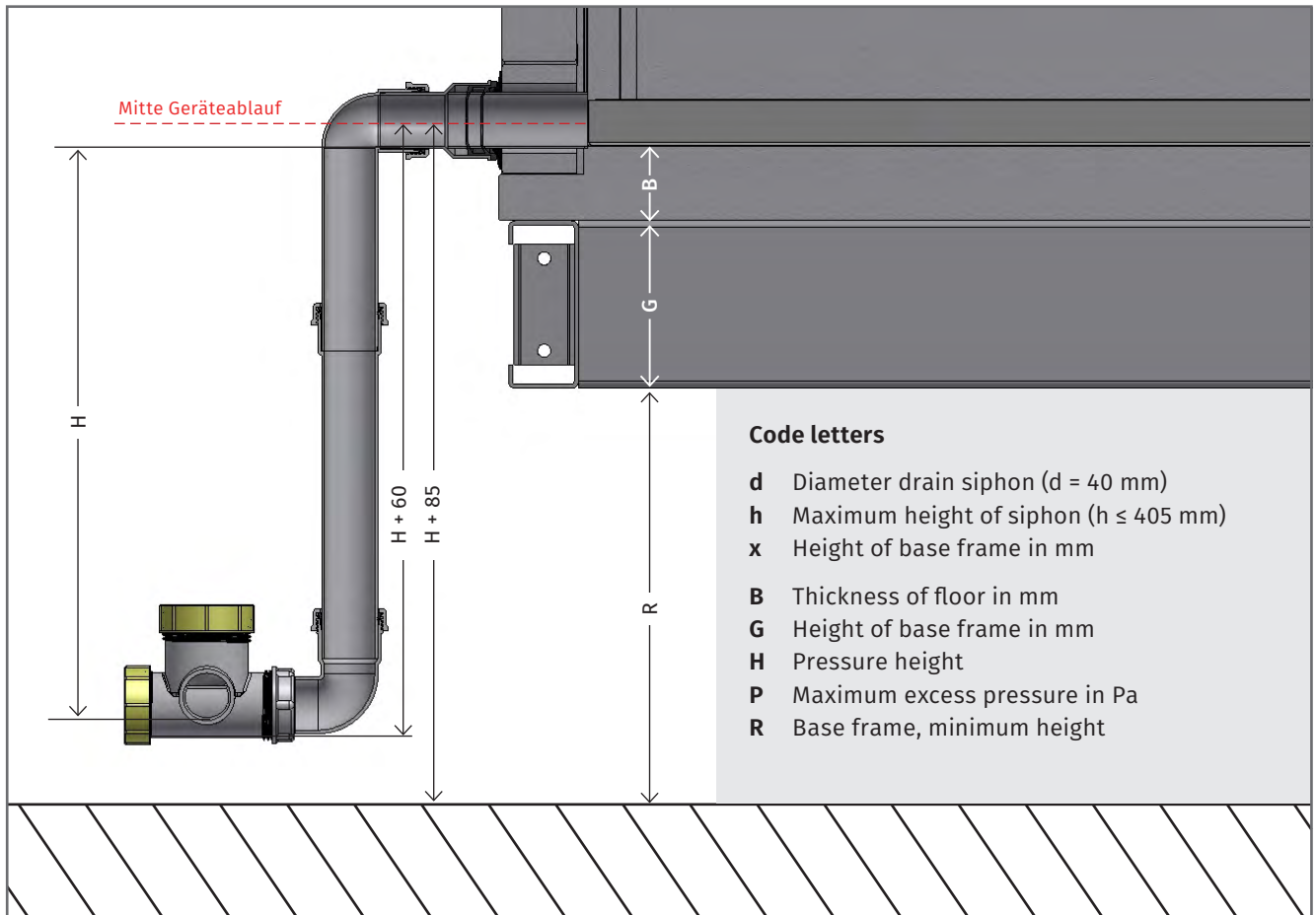


Image 4: Presentation of installation

## Calculation of the installation length

With the help of the system overpressure (P), the minimum height H of the siphon can be calculated with formula 1. Then, with formula 2 and the result for H, the minimum height of the base frame (R) above the ground can be calculated. In addition, the basic frame thickness (G) and the bottom thickness (B) must be known. All lengths are in mm. The typical floor thickness (B) is 53 mm. The exact dimensions for B and G must always be taken from the technical documentation, as device-dependent deviations are possible.

### The calculation formulae:

**Pressure height H** (in mm)

$$H = \frac{P}{10}$$

**Minimum height of base frame R** (in mm)

$$R = H + 85 \text{ mm} - (G + B + 21 \text{ mm})$$

**Minimum distance of bottom to the inlet in the middle of siphon x x** (in mm)

$$x = H + 85 \text{ mm}$$

# Rox siphon type SN



## Price

Siphon, type SN, brand ROX

Order number: 1271088

45,- €

Siphon holder

Order number: 5400500

7,50 €

## Quantity discount:

3 % from 5 pieces onwards/delivery

6 % from 10 pieces onwards/delivery

9% from 15 pieces onwards/delivery



Designation	Order number	Price	Quantity
Siphon SN	127088	45,00 €	
Siphon holder SN	5400500	7,50 €	

Contact	
Company	
Name	
City	
Street	
Phone number	

Price: free to premises in Germany incl. packing plus VAT

## Order options:

- ✓ Phone +49 2743 807-0 or Fax +49 2743 807-153
- ✓ Sent by email to [info@rox-online.de](mailto:info@rox-online.de)
- ✓ Online under [www.rox-online.de/shop](http://www.rox-online.de/shop)



Kälteanlagen zertifiziert  
nach Druckgeräterichtlinie  
97/23/EG

